

GOVERNO DO ESTADO



CEARÁ
AVANÇANDO NAS MUDANÇAS



ELABORAÇÃO DO PROJETO TÉCNICO EXECUTIVO
DAS OBRAS DE ADUTORA PARA
TRANSFERÊNCIA À CAGECE / KFW

PROJETO DA ADUTORA DE PALESTINA DO CARIRI

VOLUME 6

AS BUILT

TOMO II - DESENHOS

CONTRATO N.º 20/2000/SRH

PESO

Projeto de Engenharia e
Supervisão de Obras

FORTALEZA AGOSTO DE 2000

GOVERNO DO ESTADO



CEARÁ
AVANCANDO NAS MUDANÇAS



SECRETARIA DOS RECURSOS HUMANOS

ELABORAÇÃO DO PROJETO TÉCNICO EXECUTIVO DAS OBRAS DE ADUTORAS PARA TRANSFERÊNCIA À CAGECE/KFW

PROJETO DA ADUTORA PALESTINA DO CARIRI

VOLUME 6

TOMO II - DESENHOS

CONTRATO Nº 20/2000/SRH

AS BUILT

0162/06/02/C

Lote 01511 - Prep (X) Scan () Index ()
Projeto Nº 0162/06/02/C
Volume _____
Qtd A4 06 Qtd A3 _____
Qtd A2 _____ Qtd A1 _____
Qtd A0 05 Outros _____

APRESENTAÇÃO



APRESENTAÇÃO

O presente documento apresenta os serviços realizados no âmbito do Contrato N° 020/2000-SRH.firmado entre SRH - Secretaria dos Recursos Hídricos e a PESO - Projetos de Engenharia e Supervisão de Obras Ltda, para elaboração do projeto Técnico Executivo das Obras de Adutoras para Transferência à CAGECE/KFW

Os estudos realizados, conforme os termos de referência, são apresentados nos seguintes volumes, integrantes do acervo do projeto executivo

Vol.1 - Estudos Básicos.

Vol.2 - Projeto AS BUILT da adutora do Km 20

Tomo I - texto

Tomo II Desenhos

Vol.3 - Projeto AS BUILT da adutora Itacima Água verde

Tomo I - texto

Tomo II Desenhos

Vol.4 - Projeto AS BUILT da adutora Santa rosa, Tab. Grande, são Pedro e Primavera

Tomo I - texto

Tomo II Desenhos

Vol.5 - Projeto AS BUILT da adutora São Miguel dos Amâncios

Tomo I - texto

Tomo II Desenhos

Vol.6 - Projeto AS BUILT da adutora Palestina do Cariri

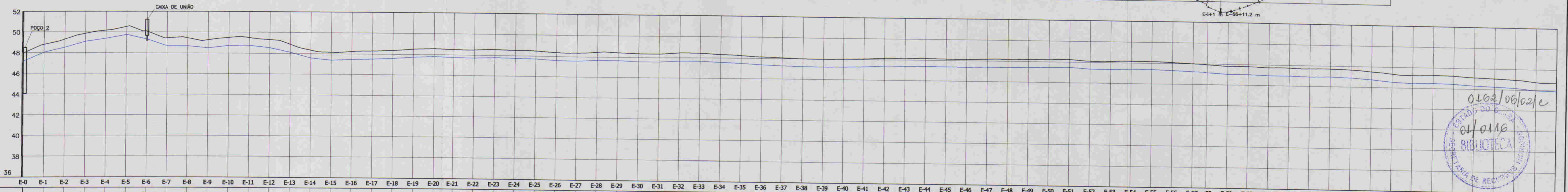
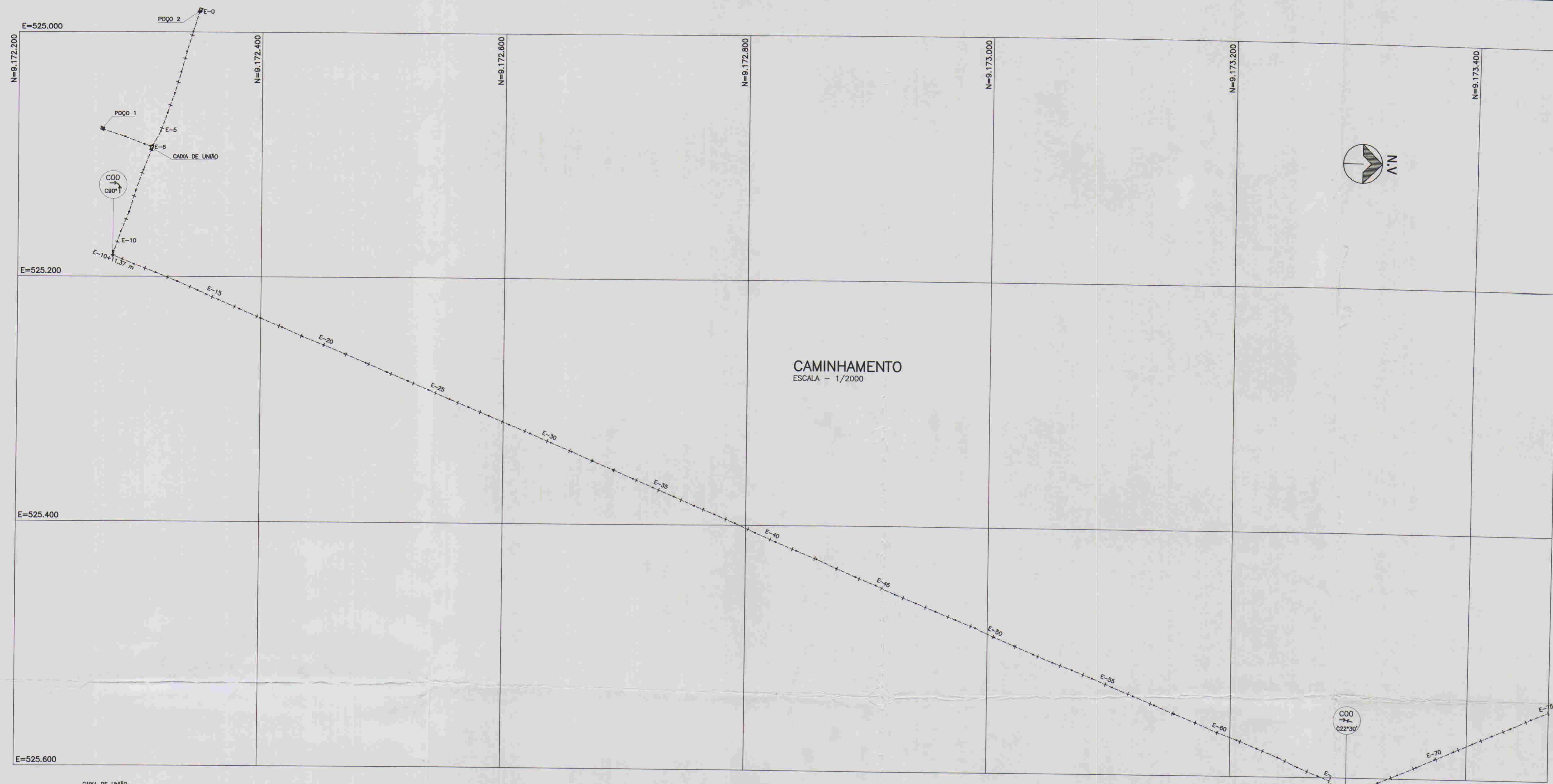
Tomo I - texto

Tomo II Desenhos

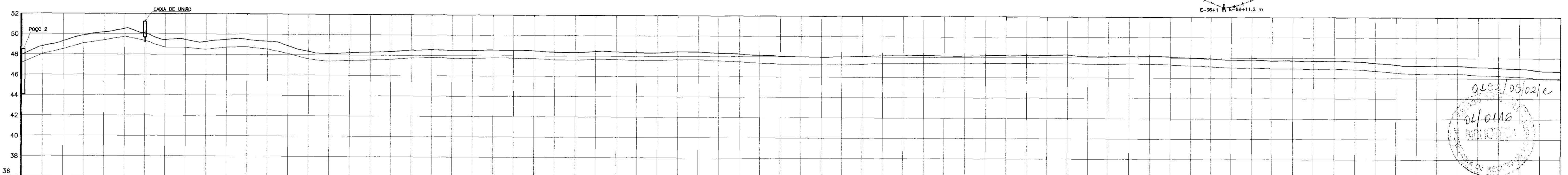
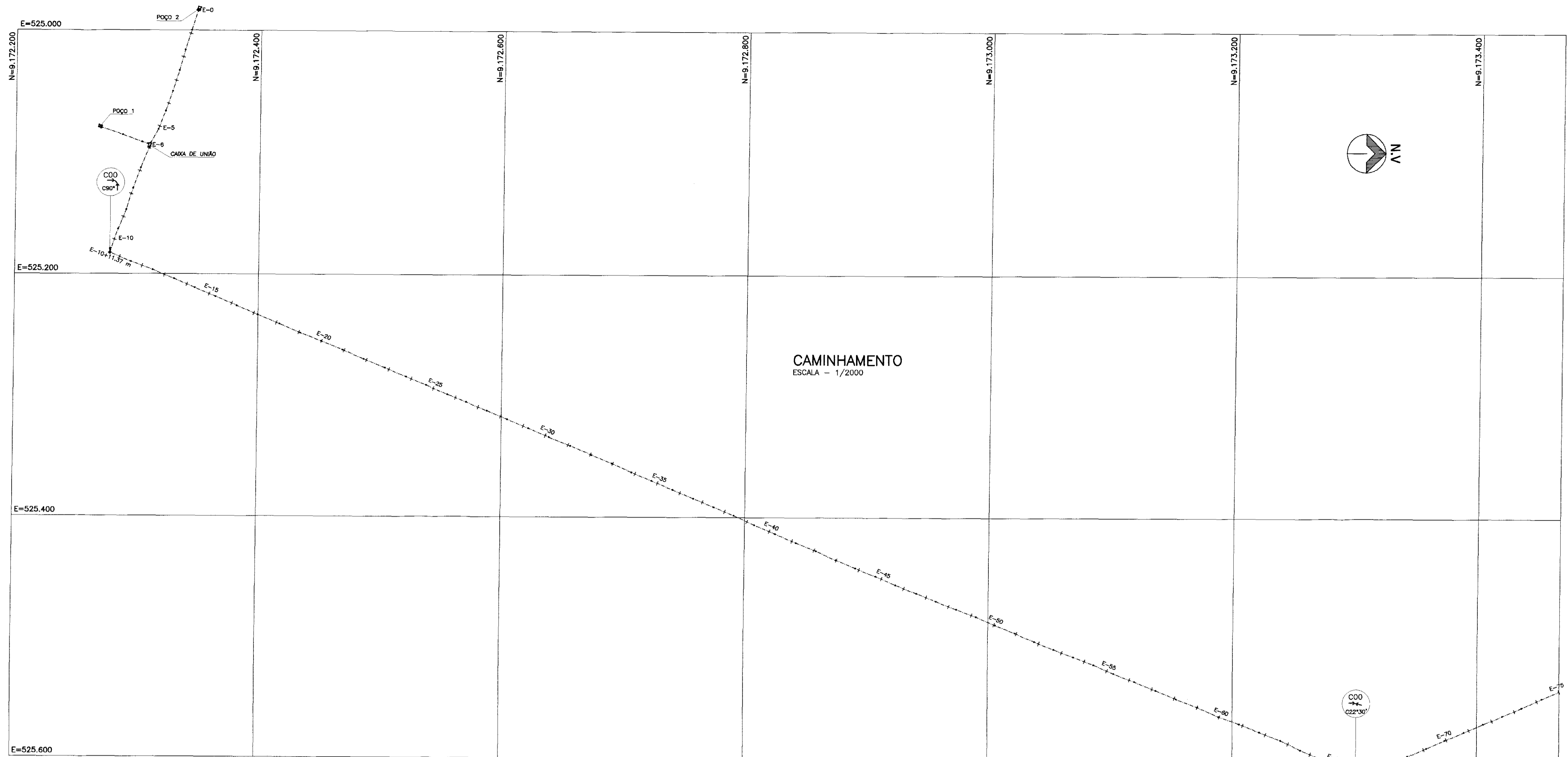
RELAÇÃO DE DESENHOS

RELAÇÃO DE DESENHOS

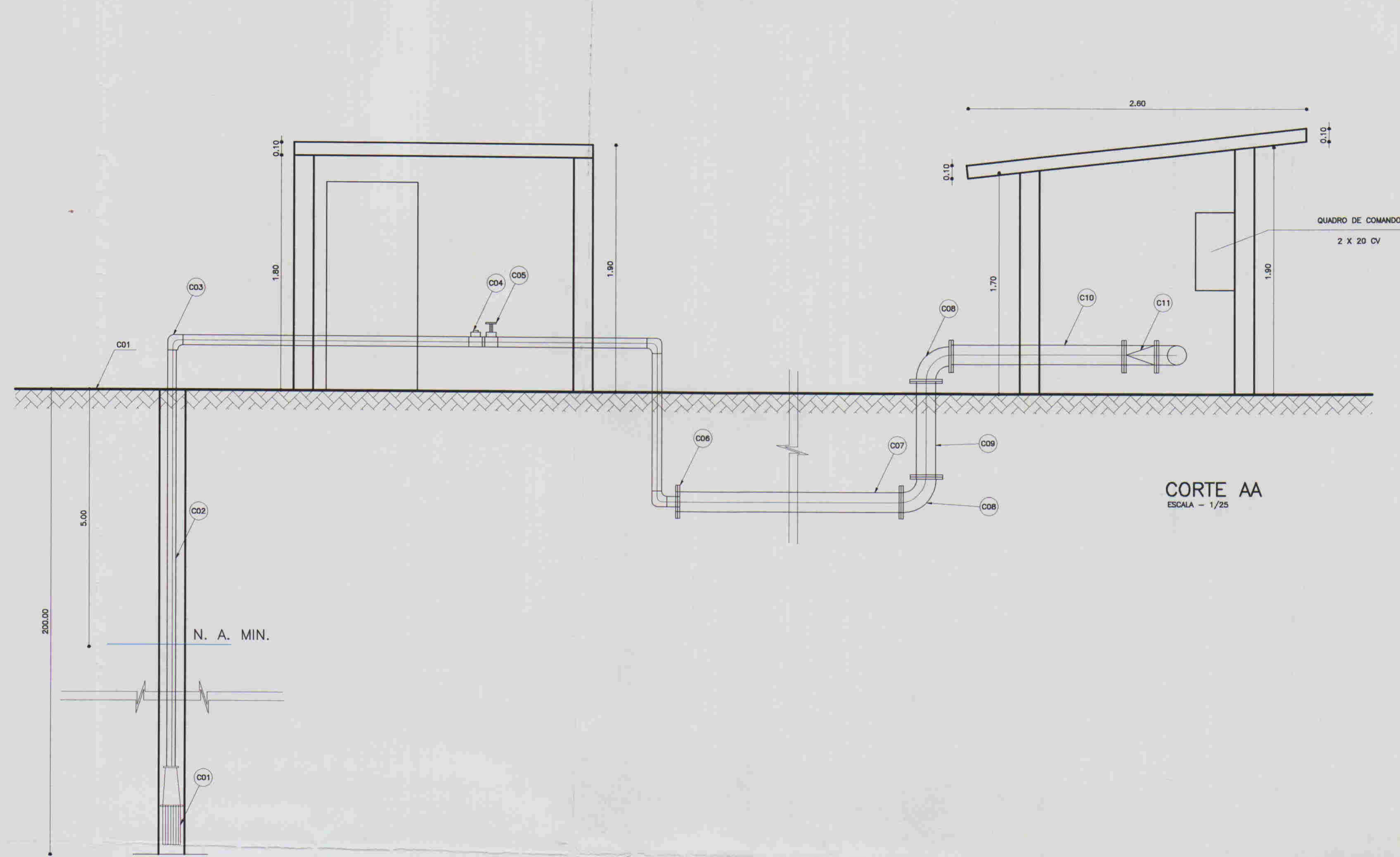
NÚMERO	DESENHO
01/5	PERFIL LONGITUDINAL EST 0 A 75
02/5	PERFIL LONGITUDINAL EST 75 A 147
03/5	CAPTAÇÃO PLANTA BAIXA E CORTES
04/5	ETA-LAY OUT , PLANTA BAIXA
05/5	RESERV APOIADO E ELEVADO PLANTA BAIXA E CORTES



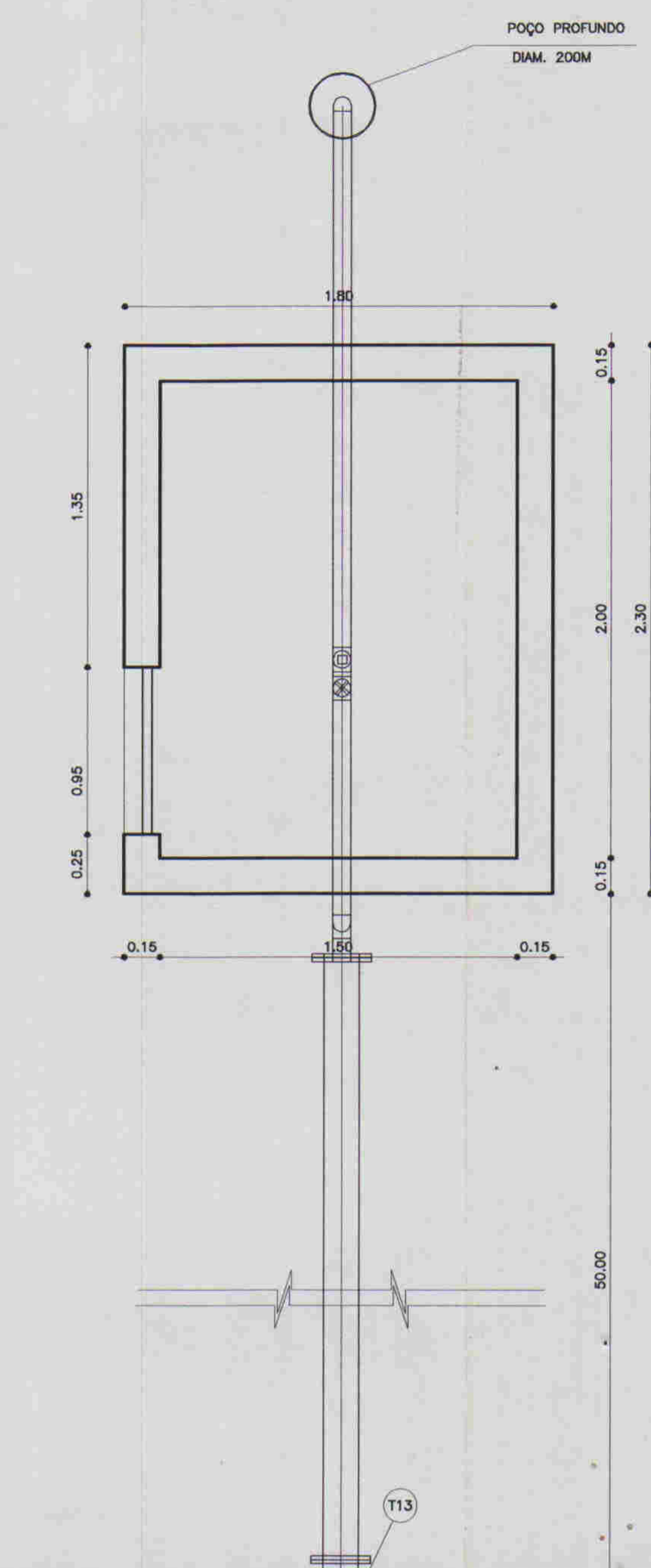
ESTACAS	E-0	E-1	E-2	E-3	E-4	E-5	E-6	E-7	E-8	E-9	E-10	E-11	E-12	E-13	E-14	E-15	E-16	E-17	E-18	E-19	E-20	E-21	E-22	E-23	E-24	E-25	E-26	E-27	E-28	E-29	E-30	E-31	E-32	E-33	E-34	E-35	E-36	E-37	E-38	E-39	E-40	E-41	E-42	E-43	E-44	E-45	E-46	E-47	E-48	E-49	E-50	E-51	E-52	E-53	E-54	E-55	E-56	E-57	E-58	E-59	E-60	E-61	E-62	E-63	E-64	E-65	E-66	E-67	E-68	E-69	E-70	E-71	E-72	E-73	E-74	E-75																																																																																																																																																																																																																																																																																																																																																																																																																																																																																																																																																																																																																																																																																																																																																																																																																																																																																																																																																																																																																																																																																																																																			
COTAS DO T.N (m)	50.00	49.90	49.80	49.70	49.60	49.50	49.40	49.30	49.20	49.10	49.00	48.90	48.80	48.70	48.60	48.50	48.40	48.30	48.20	48.10	48.00	47.90	47.80	47.70	47.60	47.50	47.40	47.30	47.20	47.10	47.00	46.90	46.80	46.70	46.60	46.50	46.40	46.30	46.20	46.10	46.00	45.90	45.80	45.70	45.60	45.50	45.40	45.30	45.20	45.10	45.00	44.90	44.80	44.70	44.60	44.50	44.40	44.30	44.20	44.10	44.00	43.90	43.80	43.70	43.60	43.50	43.40	43.30	43.20	43.10	43.00	42.90	42.80	42.70	42.60	42.50	42.40	42.30	42.20	42.10	42.00	41.90	41.80	41.70	41.60	41.50	41.40	41.30	41.20	41.10	41.00	40.90	40.80	40.70	40.60	40.50	40.40	40.30	40.20	40.10	40.00	39.90	39.80	39.70	39.60	39.50	39.40	39.30	39.20	39.10	39.00	38.90	38.80	38.70	38.60	38.50	38.40	38.30	38.20	38.10	38.00	37.90	37.80	37.70	37.60	37.50	37.40	37.30	37.20	37.10	37.00	36.90	36.80	36.70	36.60	36.50	36.40	36.30	36.20	36.10	36.00	35.90	35.80	35.70	35.60	35.50	35.40	35.30	35.20	35.10	35.00	34.90	34.80	34.70	34.60	34.50	34.40	34.30	34.20	34.10	34.00	33.90	33.80	33.70	33.60	33.50	33.40	33.30	33.20	33.10	33.00	32.90	32.80	32.70	32.60	32.50	32.40	32.30	32.20	32.10	32.00	31.90	31.80	31.70	31.60	31.50	31.40	31.30	31.20	31.10	31.00	30.90	30.80	30.70	30.60	30.50	30.40	30.30	30.20	30.10	30.00	29.90	29.80	29.70	29.60	29.50	29.40	29.30	29.20	29.10	29.00	28.90	28.80	28.70	28.60	28.50	28.40	28.30	28.20	28.10	28.00	27.90	27.80	27.70	27.60	27.50	27.40	27.30	27.20	27.10	27.00	26.90	26.80	26.70	26.60	26.50	26.40	26.30	26.20	26.10	26.00	25.90	25.80	25.70	25.60	25.50	25.40	25.30	25.20	25.10	25.00	24.90	24.80	24.70	24.60	24.50	24.40	24.30	24.20	24.10	24.00	23.90	23.80	23.70	23.60	23.50	23.40	23.30	23.20	23.10	23.00	22.90	22.80	22.70	22.60	22.50	22.40	22.30	22.20	22.10	22.00	21.90	21.80	21.70	21.60	21.50	21.40	21.30	21.20	21.10	21.00	20.90	20.80	20.70	20.60	20.50	20.40	20.30	20.20	20.10	20.00	19.90	19.80	19.70	19.60	19.50	19.40	19.30	19.20	19.10	19.00	18.90	18.80	18.70	18.60	18.50	18.40	18.30	18.20	18.10	18.00	17.90	17.80	17.70	17.60	17.50	17.40	17.30	17.20	17.10	17.00	16.90	16.80	16.70	16.60	16.50	16.40	16.30	16.20	16.10	16.00	15.90	15.80	15.70	15.60	15.50	15.40	15.30	15.20	15.10	15.00	14.90	14.80	14.70	14.60	14.50	14.40	14.30	14.20	14.10	14.00	13.90	13.80	13.70	13.60	13.50	13.40	13.30	13.20	13.10	13.00	12.90	12.80	12.70	12.60	12.50	12.40	12.30	12.20	12.10	12.00	11.90	11.80	11.70	11.60	11.50	11.40	11.30	11.20	11.10	11.00	10.90	10.80	10.70	10.60	10.50	10.40	10.30	10.20	10.10	10.00	9.90	9.80	9.70	9.60	9.50	9.40	9.30	9.20	9.10	9.00	8.90	8.80	8.70	8.60	8.50	8.40	8.30	8.20	8.10	8.00	7.90	7.80	7.70	7.60	7.50	7.40	7.30	7.20	7.10	7.00	6.90	6.80	6.70	6.60	6.50	6.40	6.30	6.20	6.10	6.00	5.90	5.80	5.70	5.60	5.50	5.40	5.30	5.20	5.10	5.00	4.90	4.80	4.70	4.60	4.50	4.40	4.30	4.20	4.10	4.00	3.90	3.80	3.70	3.60	3.50	3.40	3.30	3.20	3.10	3.00	2.90	2.80	2.70	2.60	2.50	2.40	2.30	2.20	2.10	2.00	1.90	1.80	1.70	1.60	1.50	1.40	1.30	1.20	1.10	1.00	0.90	0.80	0.70	0.60	0.50	0.40	0.30	0.20	0.10	0.00	-0.10	-0.20	-0.30	-0.40	-0.50	-0.60	-0.70	-0.80	-0.90	-1.00	-1.10	-1.20	-1.30	-1.40	-1.50	-1.60	-1.70	-1.80	-1.90	-2.00	-2.10	-2.20	-2.30	-2.40	-2.50	-2.60	-2.70	-2.80	-2.90	-3.00	-3.10	-3.20	-3.30	-3.40	-3.50	-3.60	-3.70	-3.80	-3.90	-4.00	-4.10	-4.20	-4.30	-4.40	-4.50	-4.60	-4.70	-4.80	-4.90	-5.00	-5.10	-5.20	-5.30	-5.40	-5.50	-5.60	-5.70	-5.80	-5.90	-6.00	-6.10	-6.20	-6.30	-6.40	-6.50	-6.60	-6.70	-6.80	-6.90	-7.00	-7.10	-7.20	-7.30	-7.40	-7.50	-7.60	-7.70	-7.80	-7.90	-8.00	-8.10	-8.20	-8.30	-8.40	-8.50	-8.60	-8.70	-8.80	-8.90	-9.00	-9.10	-9.20	-9.30	-9.40	-9.50	-9.60	-9.70	-9.80	-9.90	-10.00	-10.10	-10.20	-10.30	-10.40	-10.50	-10.60	-10.70	-10.80	-10.90	-11.00	-11.10	-11.20	-11.30	-11.40	-11.50	-11.60	-11.70	-11.80	-11.90	-12.00	-12.10	-12.20	-12.30	-12.40	-12.50	-12.60	-12.70	-12.80	-12.90	-13.00	-13.10	-13.20	-13.30	-13.40	-13.50	-13.60	-13.70	-13.80	-13.90	-14.00	-14.10	-14.20	-14.30	-14.40	-14.50	-14.60	-14.70	-14.80	-14.90	-15.00	-15.10	-15.20	-15.30	-15.40	-15.50	-15.60	-15.70	-15.80	-15.90	-16.00	-16.10	-16.20	-16.30	-16.40	-16.50	-16.60	-16.70	-16.80	-16.90	-17.00	-17.10	-17.20	-17.30	-17.40	-17.50	-17.60	-17.70	-17.80	-17.90	-18.00	-18.10	-18.20	-18.30	-18.40	-18.50	-18.60	-18.70	-18.80	-18.90	-19.00	-19.10	-19.20	-19.30	-19.40	-19.50	-19.60	-19.70	-19.80	-19.90	-20.00	-20.10	-20.20	-20.30	-20.40	-20.50	-20.60	-20.70	-20.80	-20.90	-21.00	-21.10	-21.20	-21.30	-21.40	-21.50	-21.60	-21.70	-21.80	-21.90	-22.00	-22.10	-22.20	-22.30	-22.40	-22.50	-22.60	-22.70	-22.80	-22.90	-23.00	-23.10	-23.20	-23.30	-23.40	-23.50	-23.60	-23.70	-23.80	-23.90	-24.00	-24.10	-24.20	-24.30	-24.40	-24.50	-24.60	-24.70	-24.80	-24.90	-25.00	-25.10	-25.20	-25.30	-25.40	-25.50	-25.60	-25.70	-25.80	-25.90	-26.00	-26.10	-26.20	-26.30	-26.40	-26.50	-26.60	-26.70	-26.80	-26.90	-27.00	-27.10	-27.20	-27.30	-27.40	-27.50	-27.60	-27.70	-27.80	-27.90	-28.00	-28.10	-28.20	-28.30	-28.40	-28.50	-28.60	-28.70	-28.80	-28.90	-29.00	-29.10	-29.20	-29.30	-29.40	-29.50	-29.60	-29.70	-29.80	-29.90	-30.00	-30.10	-30.20	-30.30	-30.40	-30.50	-30.60	-30.70	-30.80	-30.90	-31.00	-31.10	-31.20	-31.30	-31.40	-31.50	-31.60	-31.70	-31.80	-31.90	-32.00	-32.10	-32.20	-32.30	-32.40	-32.50	-32.60	-32.70	-32.80	-32.90	-33.00	-33.10	-33.20	-33.30	-33.40	-33.50	-33.60	-33.70	-33.80	-33.90	-34.00	-34.10	-34.20	-34.30	-34.40	-34.50	-34.60	-34.70	-34.80	-34.90	-35.00	-35.10	-35.20	-35.30	-35.40	-35.50	-35.60	-35.70	-35.80	-35.90	-36.00	-36.10	-36.20	-36.30	-36.40	-36.50	-36.60	-36.70	-36.80	-36.90	-37.00	-37.10	-37.20	-37.30	-37.40	-37.50	-37.60	-37.70	-37.80	-37.90	-38.00	-38.10	-38.20	-38.30	-38.40	-38.50	-38.60	-38.70	-38.80	-38.90	-39.00	-39.10	-39.20	-39.30	-39.40	-39.50	-39.60	-39.70	-39.80	-39.90	-40.00	-40.10	-40.20	-40.30	-40.40	-40.50	-40.60	-40.70	-40.80	-40.90	-41.00	-41.10	-41.20	-41.30	-41.40	-41.50	-41.60	-41.70	-41.80	-41.90	-42.00	-42.10	-42.20	-42.30	-42.40	-42.50	-42.60	-42.70	-42.80	-42.90	-43.00	-43.10	-43.20	-43.30	-43.40	-43.50	-43.60	-43.70	-43.80	-43.90	-44.00	-44.10	-44.20	-44.30	-44.40	-44.50	-44.60	-44.70	-44.80	-44.90	-45.00	-45.10	-45.20	-45.30	-45.40	-45.50	-45.60	-45.70	-45.80	-45.90	-46.00	-46.10	-46.20	-46.30	-46.40	-46.50	-46.60	-46.70	-46.80	-46.90	-47.00	-47.10	-47.20	-47.30	-47.40	-47.50	-47.60	-47.70	-47.80	-47.90	-48.00	-48.10	-48.20	-48.30	-48.40	-48.50	-48.60	-48.70	-48.80	-48.90	-49.00	-49.10	-49.20	-49.30	-49.40	-49.50	-49.60	-49.70	-49.80	-49.90	-50.00	-50.10	-50.20	-50.30	-50.40	-50.50	-50.60	-50.70	-50.80	-50.90	-51.00	-51.10	-51.20	-51.30	-51.40	-51.50	-51.60	-51.70	-51.80	-51.90	-52.00	-52.10	-52.20	-52.30	-52.40	-52.50	-52.60	-52.70	-52.80	-52.90	-53.00	-53.10	-53.20	-53.30	-53.40	-53.50	-53.60	-53.70	-53.80	-53.90	-54.00	-54.10	-54.20	-54.30	-54.40	-54.50	-54.60	-54.70	-54.80	-54.90	-55.00	-55.10	-55.20	-55.30	-55.40	-55.50	-55.60	-55.70	-55.80	-55.90	-56.00	-56.10	-56.20	-56.30	-56.40	-56.50	-56.60	-56.70	-56.80	-56.90	-57.00	-57.10	-57.20	-57.30	-57.40	-57.50	-57.60	-57.70	-57.80	-57.90	-58.00	-58.10	-58.20	-58.30	-58.40	-58.50	-58.60	-58.70	-58.80	-58.90	-59.00	-59.10	-59.20	-59.30	-59.40	-59.50	-59.60	-59.70	-59.80	-59.90	-60.00	-60.10	-60.20	-60.30	-60.40	-60.50	-60.60	-60.70	-60.80	-60.90	-61.00	-61.10	-61.20	-61.30	-61.40	-61.50	-61.60	-61.70	-61.80	-61.90	-62.00	-62.10	-62.20	-62.30	-62.40	-62.50	-62.60	-62.70	-62.80	-62.90	-63.00	-63.10	-63.20	-63.30	-63.40	-63.50	-63.60	-63.70	-63.80	-63.90	-64.00	-64.10	-64.20	-64.30	-64.40	-64.50	-64.60	-64.70	-64.80	-64.90	-65.00	-65.10	-65.20	-65.30	-65.40	-65.50	-65.60	-65.70	-65.80	-65.90	-66.00	-66.10	-66.20	-66.30	-66.40	-66.50	-66.60



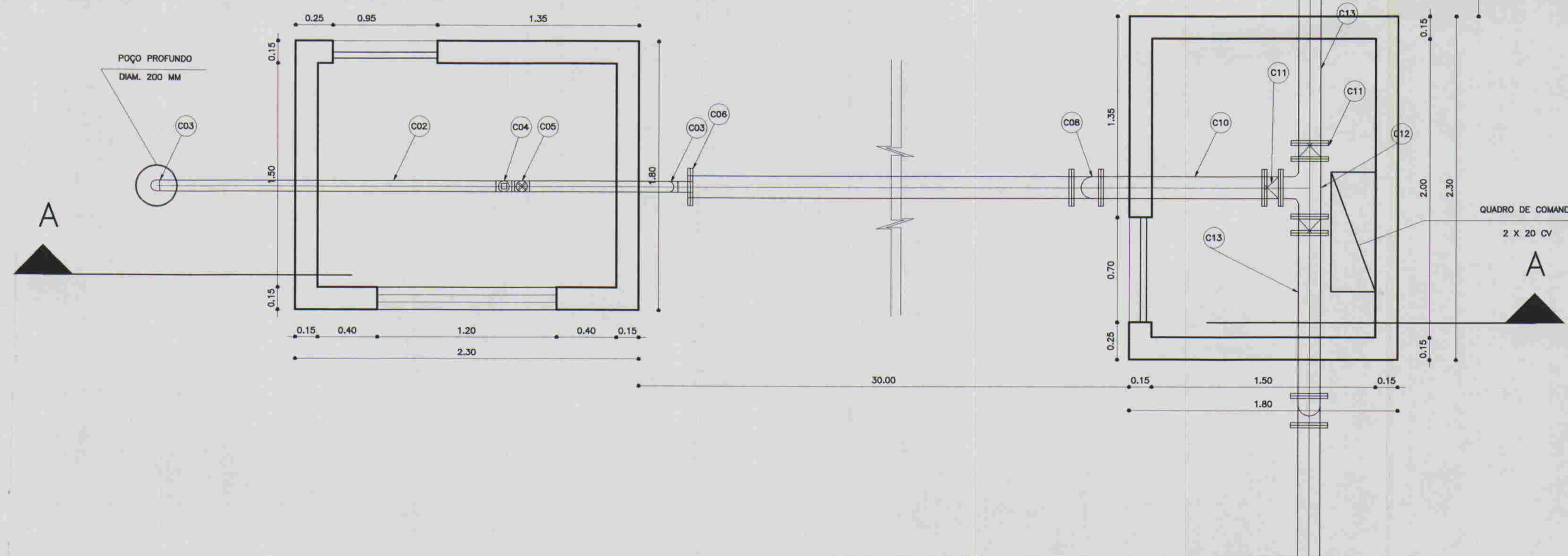
ESTACAS	E-0	E-1	E-2	E-3	E-4	E-5	E-6	E-7	E-8	E-9	E-10	E-11	E-12	E-13	E-14	E-15	E-16	E-17	E-18	E-19	E-20	E-21	E-22	E-23	E-24	E-25	E-26	E-27	E-28	E-29	E-30	E-31	E-32	E-33	E-34	E-35	E-36	E-37	E-38	E-39	E-40	E-41	E-42	E-43	E-44	E-45	E-46	E-47	E-48	E-49	E-50	E-51	E-52	E-53	E-54	E-55	E-56	E-57	E-58	E-59	E-60	E-61	E-62	E-63	E-64	E-65	E-66	E-67	E-68	E-69	E-70	E-71	E-72	E-73	E-74	E-75																																																																																																																																																																																																																																																																																																																																																																																																																																																																																																																																																																																																																																																																																																																																																																																																																																																																																																																																																																																																																																						
COTAS DO T.N (m)	47.88	48.92	49.30	49.87	50.17	50.54	50.02	49.45	48.46	47.27	45.90	44.32	42.30	40.88	39.24	37.33	35.23	32.92	30.48	27.91	25.21	22.38	19.42	16.33	13.11	9.76	6.28	2.67	-0.96	-2.58	-4.19	-5.79	-7.38	-8.95	-10.50	-12.02	-13.51	-14.98	-16.42	-17.83	-19.21	-20.56	-21.88	-23.17	-24.43	-25.66	-26.86	-28.02	-29.15	-30.25	-31.32	-32.36	-33.36	-34.32	-35.25	-36.14	-37.00	-37.83	-38.62	-39.38	-40.11	-40.81	-41.48	-42.12	-42.73	-43.31	-43.86	-44.38	-44.87	-45.33	-45.76	-46.16	-46.53	-46.87	-47.18	-47.46	-47.71	-47.93	-48.12	-48.28	-48.41	-48.51	-48.58	-48.62	-48.63	-48.61	-48.56	-48.48	-48.37	-48.23	-48.06	-47.85	-47.60	-47.32	-47.01	-46.67	-46.30	-45.90	-45.47	-45.01	-44.52	-44.00	-43.45	-42.87	-42.26	-41.62	-40.95	-40.25	-39.52	-38.76	-38.00	-37.20	-36.37	-35.51	-34.62	-33.70	-32.75	-31.77	-30.76	-29.72	-28.65	-27.55	-26.42	-25.26	-24.07	-22.85	-21.60	-20.32	-19.01	-17.67	-16.30	-14.90	-13.47	-12.01	-10.52	-9.00	-7.45	-5.88	-4.28	-2.65	-1.00	0.67	2.27	3.80	5.26	6.65	7.97	9.22	10.40	11.51	12.55	13.52	14.42	15.25	16.01	16.70	17.32	17.87	18.35	18.76	19.10	19.37	19.57	19.70	19.76	19.75	19.67	19.52	19.31	19.04	18.71	18.32	17.87	17.36	16.79	16.16	15.47	14.73	13.94	13.10	12.21	11.27	10.28	9.24	8.15	7.01	5.82	4.59	3.32	2.01	0.66	-0.73	-2.06	-3.32	-4.51	-5.62	-6.65	-7.60	-8.47	-9.26	-9.97	-10.60	-11.15	-11.62	-12.01	-12.32	-12.55	-12.70	-12.77	-12.76	-12.68	-12.53	-12.31	-12.03	-11.69	-11.29	-10.83	-10.31	-9.73	-9.09	-8.40	-7.65	-6.85	-6.00	-5.10	-4.15	-3.15	-2.10	-1.01	0.12	1.27	2.43	3.60	4.77	5.94	7.11	8.28	9.45	10.62	11.79	12.96	14.13	15.30	16.47	17.64	18.81	19.98	21.15	22.32	23.49	24.66	25.83	27.00	28.17	29.34	30.51	31.68	32.85	34.02	35.19	36.36	37.53	38.70	39.87	41.04	42.21	43.38	44.55	45.72	46.89	48.06	49.23	50.40	51.57	52.74	53.91	55.08	56.25	57.42	58.59	59.76	60.93	62.10	63.27	64.44	65.61	66.78	67.95	69.12	70.29	71.46	72.63	73.80	74.97	76.14	77.31	78.48	79.65	80.82	81.99	83.16	84.33	85.50	86.67	87.84	89.01	90.18	91.35	92.52	93.69	94.86	96.03	97.20	98.37	99.54	100.71	101.88	103.05	104.22	105.39	106.56	107.73	108.90	110.07	111.24	112.41	113.58	114.75	115.92	117.09	118.26	119.43	120.60	121.77	122.94	124.11	125.28	126.45	127.62	128.79	129.96	131.13	132.30	133.47	134.64	135.81	136.98	138.15	139.32	140.49	141.66	142.83	144.00	145.17	146.34	147.51	148.68	149.85	151.02	152.19	153.36	154.53	155.70	156.87	158.04	159.21	160.38	161.55	162.72	163.89	165.06	166.23	167.40	168.57	169.74	170.91	172.08	173.25	174.42	175.59	176.76	177.93	179.10	180.27	181.44	182.61	183.78	184.95	186.12	187.29	188.46	189.63	190.80	191.97	193.14	194.31	195.48	196.65	197.82	198.99	200.16	201.33	202.50	203.67	204.84	206.01	207.18	208.35	209.52	210.69	211.86	213.03	214.20	215.37	216.54	217.71	218.88	220.05	221.22	222.39	223.56	224.73	225.90	227.07	228.24	229.41	230.58	231.75	232.92	234.09	235.26	236.43	237.60	238.77	239.94	241.11	242.28	243.45	244.62	245.79	246.96	248.13	249.30	250.47	251.64	252.81	253.98	255.15	256.32	257.49	258.66	259.83	261.00	262.17	263.34	264.51	265.68	266.85	268.02	269.19	270.36	271.53	272.70	273.87	275.04	276.21	277.38	278.55	279.72	280.89	282.06	283.23	284.40	285.57	286.74	287.91	289.08	290.25	291.42	292.59	293.76	294.93	296.10	297.27	298.44	299.61	300.78	301.95	303.12	304.29	305.46	306.63	307.80	308.97	310.14	311.31	312.48	313.65	314.82	315.99	317.16	318.33	319.50	320.67	321.84	323.01	324.18	325.35	326.52	327.69	328.86	330.03	331.20	332.37	333.54	334.71	335.88	337.05	338.22	339.39	340.56	341.73	342.90	344.07	345.24	346.41	347.58	348.75	349.92	351.09	352.26	353.43	354.60	355.77	356.94	358.11	359.28	360.45	361.62	362.79	363.96	365.13	366.30	367.47	368.64	369.81	370.98	372.15	373.32	374.49	375.66	376.83	378.00	379.17	380.34	381.51	382.68	383.85	385.02	386.19	387.36	388.53	389.70	390.87	392.04	393.21	394.38	395.55	396.72	397.89	399.06	400.23	401.40	402.57	403.74	404.91	406.08	407.25	408.42	409.59	410.76	411.93	413.10	414.27	415.44	416.61	417.78	418.95	420.12	421.29	422.46	423.63	424.80	425.97	427.14	428.31	429.48	430.65	431.82	432.99	434.16	435.33	436.50	437.67	438.84	440.01	441.18	442.35	443.52	444.69	445.86	447.03	448.20	449.37	450.54	451.71	452.88	454.05	455.22	456.39	457.56	458.73	459.90	461.07	462.24	463.41	464.58	465.75	466.92	468.09	469.26	470.43	471.60	472.77	473.94	475.11	476.28	477.45	478.62	479.79	480.96	482.13	483.30	484.47	485.64	486.81	487.98	489.15	490.32	491.49	492.66	493.83	495.00	496.17	497.34	498.51	499.68	500.85	502.02	503.19	504.36	505.53	506.70	507.87	509.04	510.21	511.38	512.55	513.72	514.89	516.06	517.23	518.40	519.57	520.74	521.91	523.08	524.25	525.42	526.59	527.76	528.93	530.10	531.27	532.44	533.61	534.78	535.95	537.12	538.29	539.46	540.63	541.80	542.97	544.14	545.31	546.48	547.65	548.82	550.00	551.17	552.34	553.51	554.68	555.85	557.02	558.19	559.36	560.53	561.70	562.87	564.04	565.21	566.38	567.55	568.72	569.89	571.06	572.23	573.40	574.57	575.74	576.91	578.08	579.25	580.42	581.59	582.76	583.93	585.10	586.27	587.44	588.61	589.78	590.95	592.12	593.29	594.46	595.63	596.80	597.97	599.14	600.31	601.48	602.65	603.82	604.99	606.16	607.33	608.50	609.67	610.84	612.01	613.18	614.35	615.52	616.69	617.86	619.03	620.20	621.37	622.54	623.71	624.88	626.05	627.22	628.39	629.56	630.73	631.90	633.07	634.24	635.41	636.58	637.75	638.92	640.09	641.26	642.43	643.60	644.77	645.94	647.11	648.28	649.45	650.62	651.79	652.96	654.13	655.30	656.47	657.64	658.81	660.00	661.17	662.34	663.51	664.68	665.85	667.02	668.19	669.36	670.53	671.70	672.87	674.04	675.21	676.38	677.55	678.72	679.89	681.06	682.23	683.40	684.57	685.74	686.91	688.08	689.25	690.42	691.59	692.76	693.93	695.10	696.27	697.44	698.61	699.78	700.95	702.12	703.29	704.46	705.63	706.80	707.97	709.14	710.31	711.48	712.65	713.82	714.99	716.16	717.33	718.50	719.67	720.84	722.01	723.18	724.35	725.52	726.69	727.86	729.03	730.20	731.37	732.54	733.71	734.88	736.05	737.22	738.39	739.56	740.73	741.90	743.07	744.24	745.41	746.58	747.75	748.92	750.09	751.26	752.43	753.60	754.77	755.94	757.11	758.28	759.45	760.62	761.79	762.96	764.13	765.30	766.47	767.64	768.81	770.00	771.17	772.34	773.51	774.68	775.85	777.02	778.19	779.36	780.53	781.70	782.87	784.04	785.21	786.38	787.55	788.72	789.89	791.06	792.23	793.40	794.57	795.74	796.91	798.08	799.25	800.42	801.59	802.76	803.93	805.10	806.27	807.44	808.61	809.78	810.95	812.12	813.29	814.46	815.63	816.80	817.97	819.14	820.31	821.48	822.65	823.82	825.00	826.17	827.34	828.51	829.68	830.85	832.02	833.19	834.36	835.53	836.70	837.87	839.04	840.21	841.38	842.55	843.72	844.89	846.06	847.23	848.40	849.57	850.74	851.91	853.08	854.25	855.42	856.59	857.76	858.93	860.10	861.27	862.44	863.61	864.78	865.95	867.12	868.29	869.46	870.63	871.80	872.97	874.14	875.31	876.48	877.65	878.82	880.00	881.17	882.34	883.51	884.68	885.85	887.02	888.19	889.36	890.53	891.70	892.87	894.04	895.21	896.38	897.55	898.72	899.89	901.06	902.23	903.40	904.57	905.74	906.91	908.08	909.25	910.42	911.59	912.76	913.93	915.10	916.27	917.44	918.61	919.78	920.95	922.12	923.29	924.46	925.63	926.80	927.97	929.14	930.31	931.48	932.65	933.82	935.00	936.17	937.34	938.51	939.68	940.85	942.02	943.19	944.36	945.53	946.70	947.87	949.04	950.21	951.38	952.55	953.72	954.89	956.06	957.23	958.40	959.57	960.74	961.91	963.08	964.25	965.42	966.59	967.76	968.93	970.10	971.27	972.44	973.61	974.78	975.95	977.12	978.29	979.46	980.63	981.80	982.97	984.14	985.31	986.48	987.



CORTE AA
ESCALA - 1/25



N°	DISCRIMINAÇÃO	φ	QUANT.
C01	CONJUNTO MOTOR BOMBA SUBMERSA CÓM Q= 12,00 M3/H E POT. = 20 CV		02
C02	TUBO DE AÇO GALVANIZADO	75	20
C03	CURVA DE 90° ROSCÁVEL EM AÇO	75	02
C04	TE AÇO ROSCÁVEL	75	02
C05	REGISTRO DE GAVETA ROSCÁVEL	60	02
C06	ADAPTADOR FLANGE ROSCA	75 + 150	02
C07	TUBO FfFo PONTA BOLSA	150	100
C08	CURVA DE 90° FLANGEADA	150	06
C09	TOCO FfFo FLANGEADO L=1,20m	150	01
C10	TOCO FfFo FLANGEADO L=1,00m	150	01
C11	VALVULA DE RETENÇÃO FLANGEADA	150	03
C12	TE FfFo FLANGEADO	150	01
C13	TOCO FfFo FLANGEADO L=1,30m	150	2



PLANTA BAIXA
ESCALA - 1/25



LEGENDA:

	ALVENARIA
	CONCRETO SIMPLES
	CONCRETO ARMADO
	BRITA
	TERRENO NATURAL

NOTAS :

DESENHOS DE REFERÊNCIA :

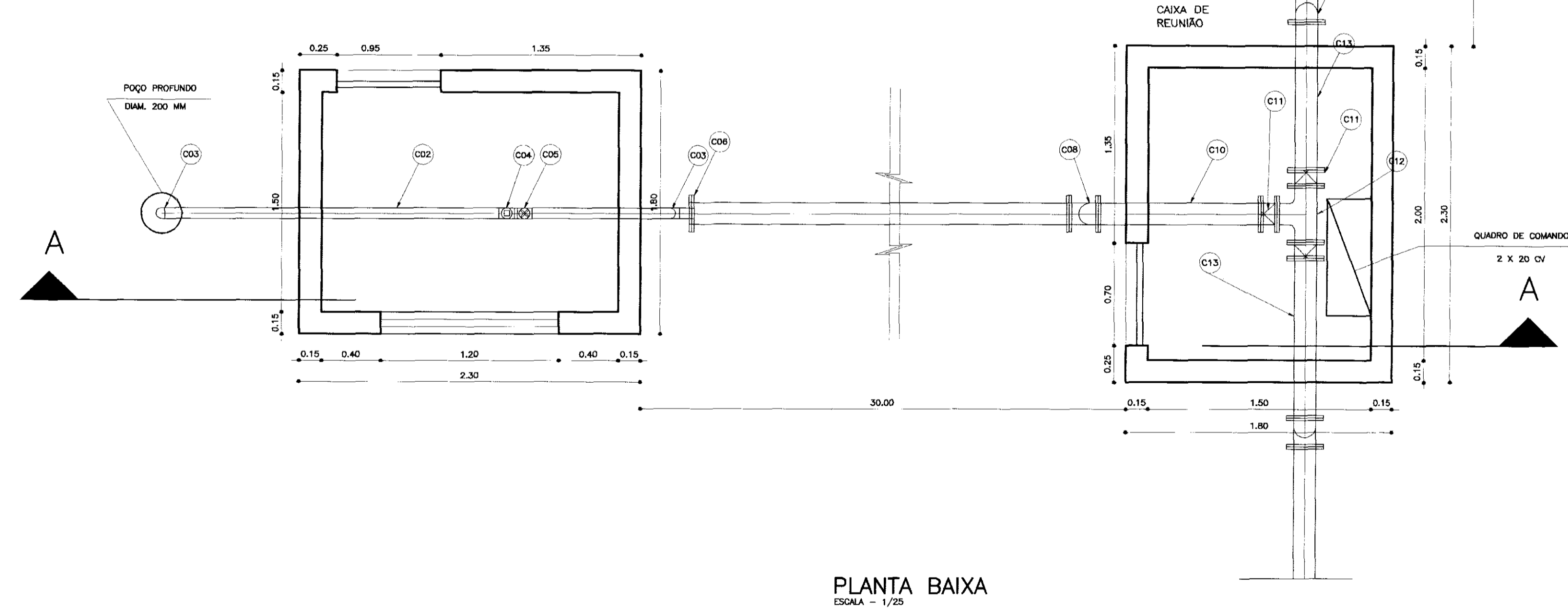
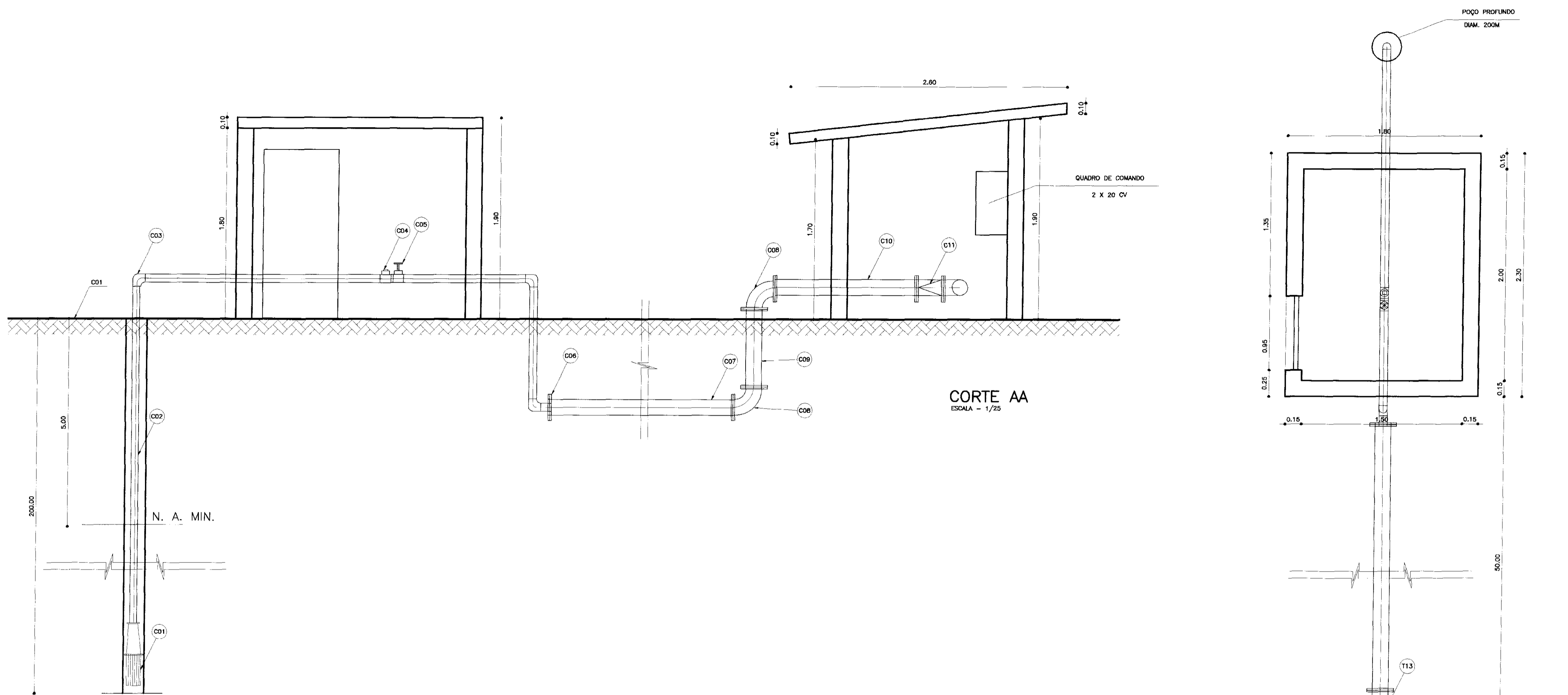
REVISÕES			
N°	NATUREZA DA REVISÃO	DATA	APROVO

GOVERNO DO ESTADO DO CEARÁ
SECRETARIA DOS RECURSOS HÍDRICOS - SRH

PROJETO TÉCNICO EXECUTIVO DAS OBRAS DE ADUTORAS
PARA TRANSFERÊNCIA À CAGECEE/KFW
ADUTORA PALESTINA DO CARIRI

Projeto : CAPTAÇÃO.dwg
Data de Emissão : NOVEMBRO/2000
Escala : 1/25
Rev. : 3/5

PES PROJETOS DE ENGENHARIA E SUPERVISÃO DE OBRAS



Nº	DISCRIMINAÇÃO	Ø	QUANT.
C01	CONJUNTO MOTOR BOMBA SUBMERSA COM Q = 12,00 M ³ /H E POT. = 20 CV		02
C02	TUBO DE AÇO GALVANIZADO	75	20
C03	CURVA DE 90º ROSCAVEL EM AÇO	75	02
C04	TE AÇO ROSCAVEL	75	02
C05	REGISTRO DE GAVETA ROSCAVEL	60	02
C06	ADAPTADOR FLANGE ROSCA	75 x 150	02
C07	TUBO Fofa PONTA ROLSA	150	100
C08	CURVA DE 90º FLANGEADA	150	06
C09	TOCO Fofa FLANGEADO L=1,20m	150	01
C10	TOCO Fofa FLANGEADO L=1,00m	150	01
C11	VALVULA DE RETENÇÃO FLANGEADA	150	03
C12	TE Fofa FLANGEADO	150	01
C13	TOCO Fofa FLANGEADO L=1,30m	150	2

LEGENDA:

	ALVENARIA
	CONCRETO SIMPLES
	CONCRETO ARMADO
	BRITA
	TERRENO NATURAL

NOTAS :

DESENHOS DE REFERÊNCIA :

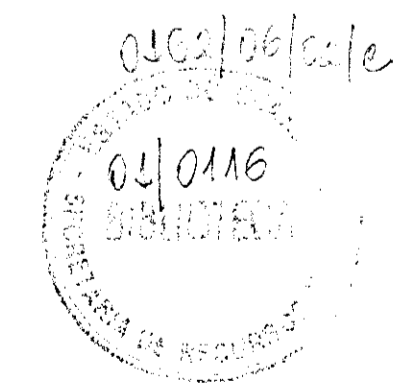
REVISÕES			
Nº	NATUREZA DA REVISÃO	DATA	APROVO

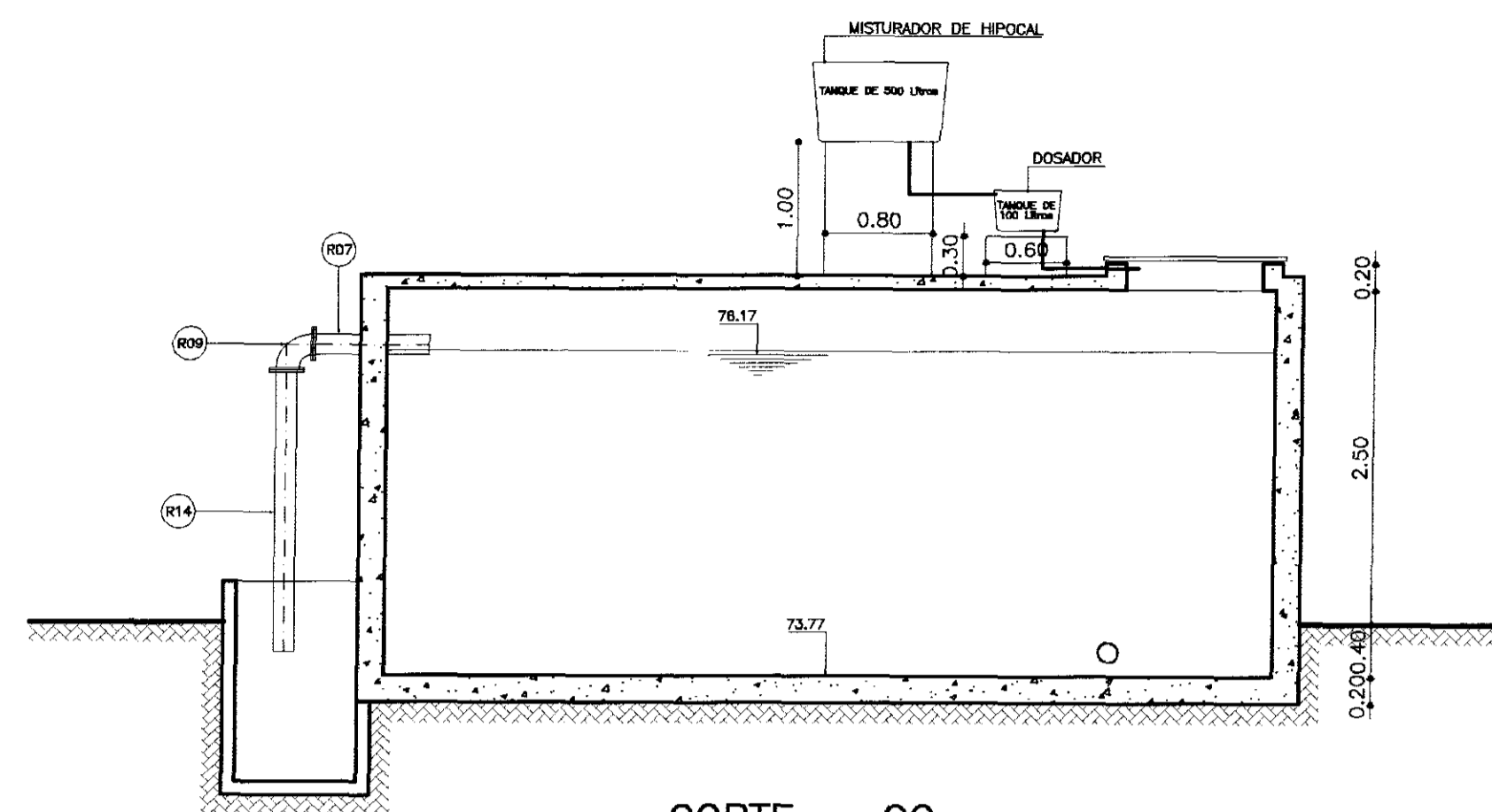
GOVERNO DO ESTADO DO CEARÁ
SECRETARIA DOS RECURSOS HÍDRICOS - SRH

PROJETO TÉCNICO EXECUTIVO DAS OBRAS DE ADUTORAS
PARA TRANSFERÊNCIA À CAGECEE/KFW
ADUTORA PALESTINA DO CARIRI

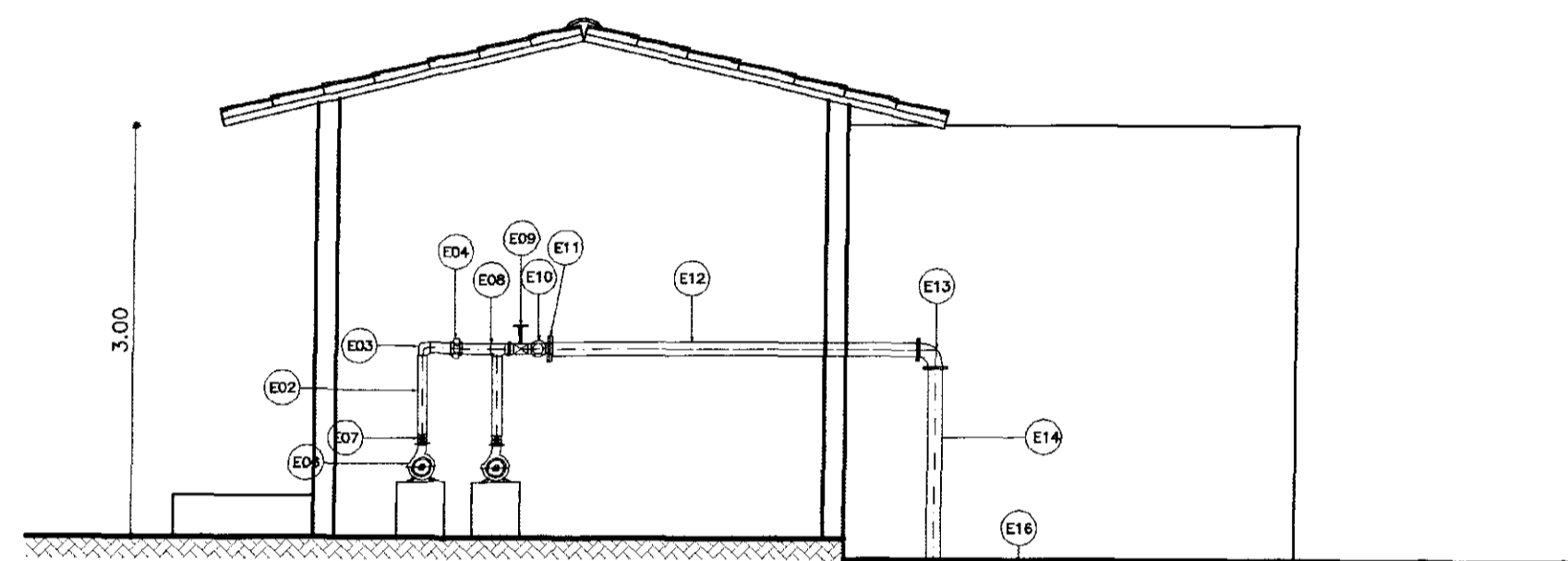
Projeto : CAPTAÇÃO.dwg
Data de Entrega : NOVEMBRO/2000
Verificado :
Aprova :
Escala : 1/25
Rev. :
Nº do Desenho : 3/5

PES PROJETO DE ENGENHARIA E SUPERVISÃO DE OBRAS

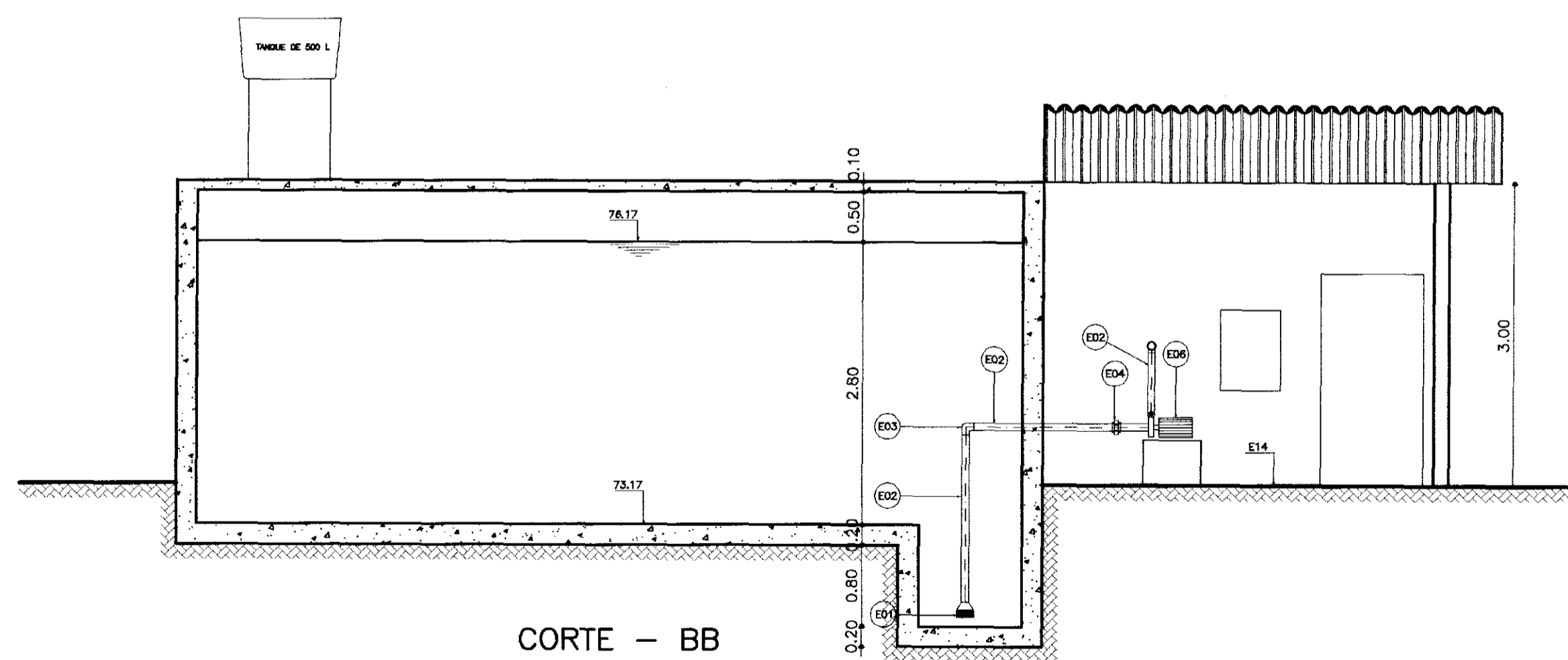




CORTE - CC
ESCALA - 1/50

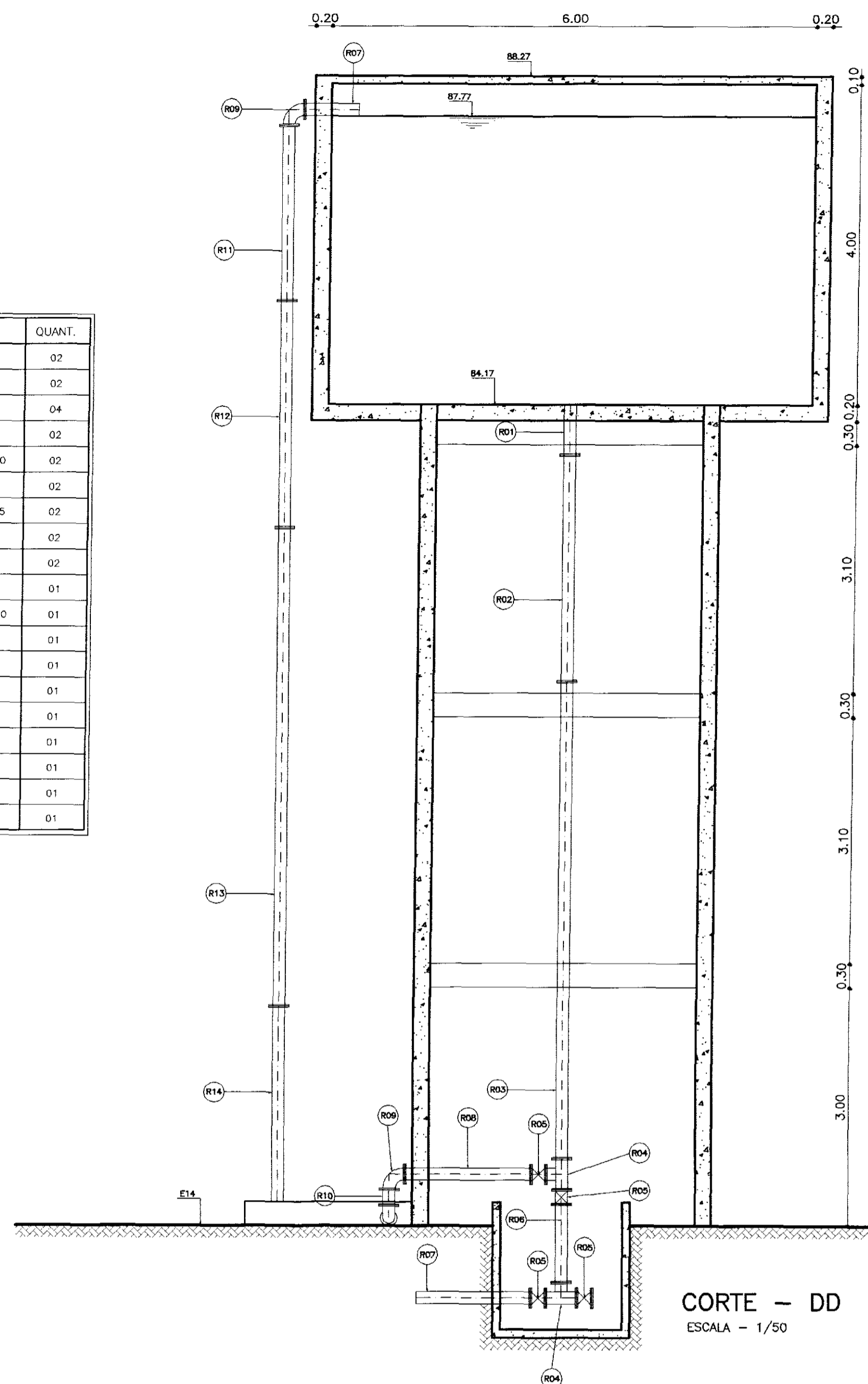


CORTE - AA
ESCALA - 1/50

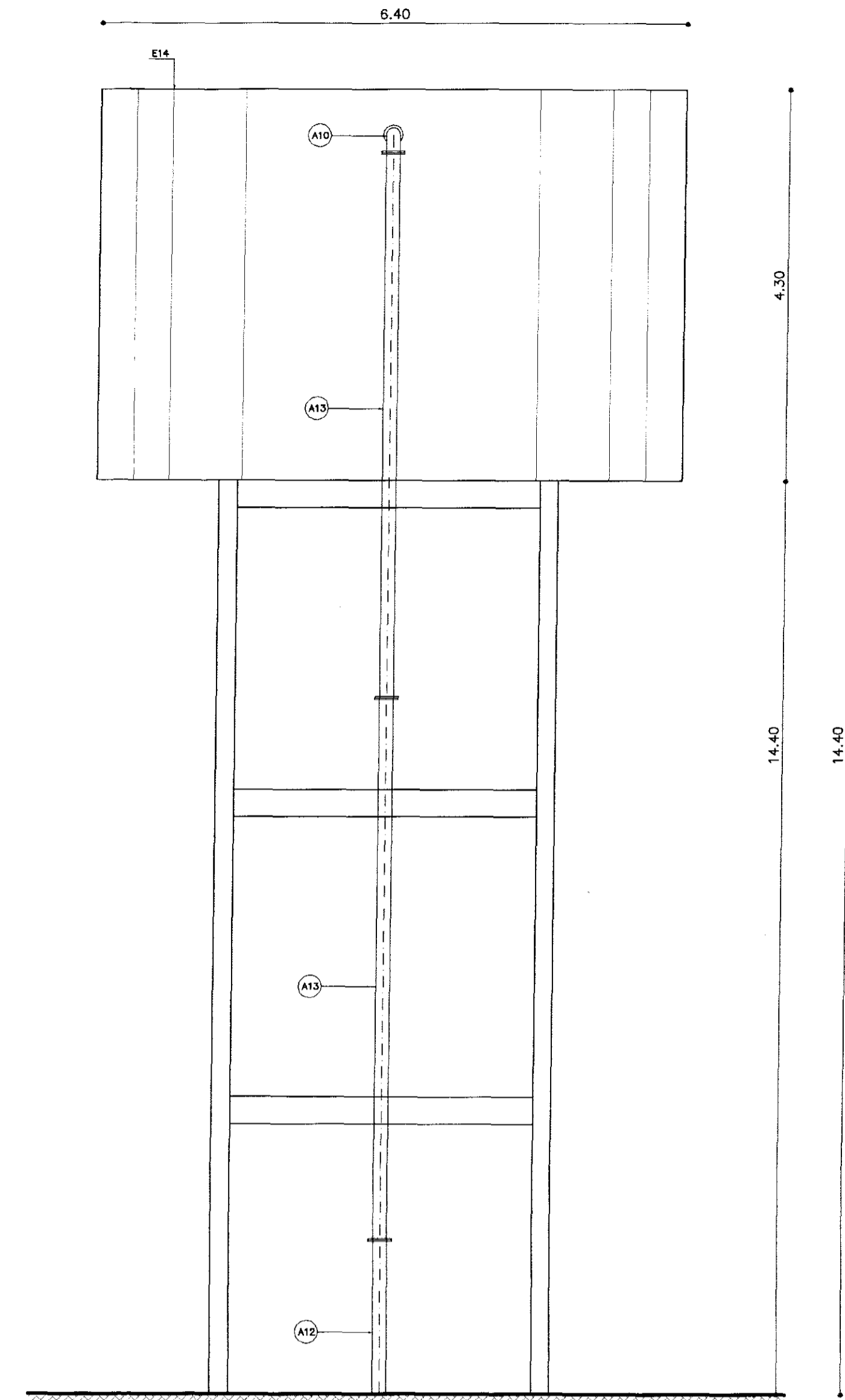


CORTE - BB
ESCALA - 1/50

N°	DISCRIMINAÇÃO	φ	QUANT.
E01	VALVULADE PE	75	02
E02	TUBO DE AÇO GALVANIZADO ROSCÁVEL	75	02
E03	CURVA DE 90° AÇO ROSCÁVEL	75	04
E04	LUVA DE UNIÃO ROSC.	75	02
E05	BUCHA DE REDUÇÃO ROSC.	75*60	02
E06	BOMBA	-	02
E07	LUVA DE AMPLIAÇÃO EM AÇO	50x75	02
E08	TE AÇO ROSCÁVEL	75	02
E09	REGISTRO DE GAVETA ROSCÁVEL	75	02
E10	VALVULA DE RETENÇÃO ROSCÁVEL	75	01
E11	ADAPTADOR ROSCA FLANGE	75*100	01
E12	TOCO FoFo FLANGEADO L=	100	01
E13	CURVA DE 90° FLANGEADA	100	01
E14	TOCO FoFo FLANGEADO L=1,00m	100	01
E15	CURVA DE 90° BOLSA	100	01
E16	TUBO FoFo BOLSA E PONTA L=6,00m	100	01
E17	ESTREMEIDADE FLANGE BOLSA	100	01
E18	VALVULA DE RETENÇÃO FLANGEADA	100	01
E19	TOCO FoFo FLANGEADO L= 0,50 M	100	01



CORTE - DD
ESCALA - 1/50



VISTA - EE
ESCALA - 1/50

N°	DISCRIMINAÇÃO	φ	QUANT.
A01	TUBO FoFo PONTA BOLSA	150	02
A02	CURVA 90° FoFo BOLSA	150	01
A03	TOCO FoFo FLANGE PONTA L=6,00 m	150	01
A04	TE FLANGEADO	150	01
A05	REGISTRO DE GAVETA FLANGEADO	150	02
A06	TOCO FoFo FLANGE PONTA COM ABA L=1,00 m	150	01
A07	TOCO FoFo FLANGE PONTA L=4,00 m	150	01
A08	TOCO FoFo FLANGE PONTA L=1,00 m	150	01
A09	TE FLANGEADO	150x100	01
A10	CURVA 90° FoFo FLANGEADA	150	01
A11	TOCO FoFo FLANGEADO L=0,50 m	150	03
A12	TOCO FoFo FLANGEADO L=3,00 m	150	01
A13	TOCO FoFo FLANGEADO L=6,00 m	150	02

N°	DISCRIMINAÇÃO	φ	QUANT.
R01	TOCO FLANGE PONTA COM ABA L=1,00 m	150	02
R02	TOCO FLANGEADO L=3,00 m	150	01
R03	TOCO FLANGEADO L=6,00 m	150	01
R04	TE FLANGEADO	150	02
R05	REGISTRO DE GAVETA FLANGEADO	150	05
R06	TOCO FoFo FLANGEADO L=1,00 m	150	01
R07	TOCO FoFo FLANGEADO L=2,00 m	150	04
R08	TOCO FoFo FLANGEADO L=1,50 m	150	01
R09	CURVA DE 90° FLANGEADA	150	04
R10	TOCO FoFo FLANGEADO L=0,25 m	150	01
R11	TOCO FoFo FLANGEADO L=2,00 m	150	01
R12	TOCO FoFo FLANGEADO L=3,00 m	150	01
R13	TOCO FoFo FLANGEADO L=6,00 m	150	01
R14	TOCO FoFo FLANGE PONTA L=2,50 m	150	03

- LEGENDA:
- ALVENARIA
 - CONCRETO SIMPLES
 - CONCRETO ARMADO
 - TERRENO NATURAL

NOTAS :

DESENHOS DE REFERÊNCIA :

REVISÕES			
N°	NATUREZA DA REVISÃO	DATA	APROVO

GOVERNO DO ESTADO DO CEARÁ
SECRETARIA DOS RECURSOS HÍDRICOS - SRH

PROJETO TÉCNICO EXECUTIVO DAS OBRAS DE ADUTORAS
PARA TRANSFERÊNCIA À CAGECEE/KFW
ADUTORA PALESTINA DO CARIRI 000811

Projeto :	ETA-PALEdwg	Desenho :
Visto :	NOVEMBRO/2000	Data de Emissão :
Verificado :	1/50	Escala :
Aprova :	5/5	Rev. :

PES PROJETOS DE ENGENHARIA E SUPERVISÃO DE OBRAS

